

Nail gun
ZLS-1232

Contact
Email: sales2@bzvalve.com





DESCRIPTION

Card nail gun, which is used to fix the installation work of the nail nail when laying the pipeline, which saves time and effort

Advantages, you can stand for construction, while laying pipelines, and fix the card nails to save labor costs.

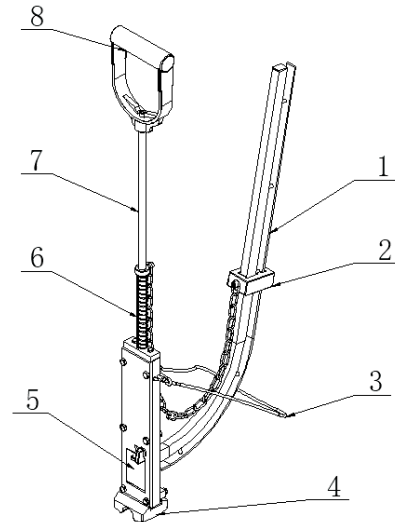
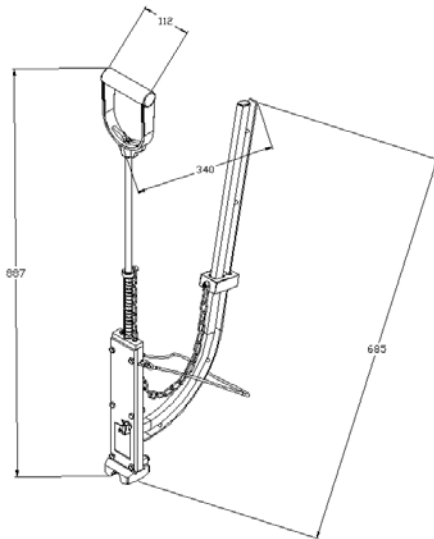
How to use: first remove the card nail pressure block, put the card nail into the card nail guide rail in advance, and then install the card nail pressure

Blocks, the pipes that need to be fixed, and press down the handle down until the stuck nails are fixed before loosening the handle.

Application

(Suitable for PEX, aluminum -plastic pipes and other pipelines for outer diameter 16)

Size



NO	NAME
1	Nail orbit
2	Nail crust
3	Tripod
4	Base
5	main body
6	Back spring
7	Press
8	handle