

Bending
ZL-WK03-16

Contact
Email:sales2@bzvalve.com



DESCRIPTION



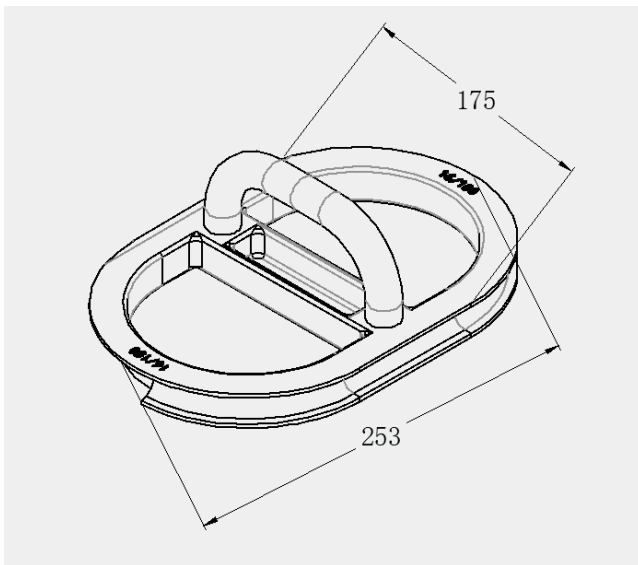
The bending tube is composed of the base, handle and installation screws. The main material is made of ABS engineering plastics, which has the advantages of lightweight and durability.

How to use: The end of the tube that is curved is fixed on the card slot to hold it with the hand, and then gradually bend the tube along the guide slot, and bend into the ideal arc and shape as needed.

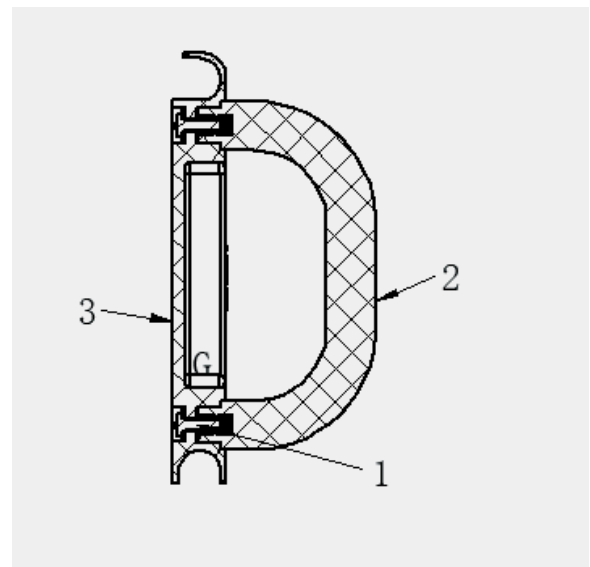
Application

(Suitable for PEX, aluminum -plastic pipes and other pipelines for outer diameter 16)

Size



Material



NO.	Mane	Material
1	Installation screw	304
2	handle	ABS
3	Base	ABS