

Safety valve
ZL-716

Contact
Email: sales2@bzvalve.com





DESCRIPTION

Safety valve, for pressure vessel equipment and pipelines, the pressure in the container exceeds the setting value
At the same time, the safety valve will automatically disclose the pressure and drain excess pressure.

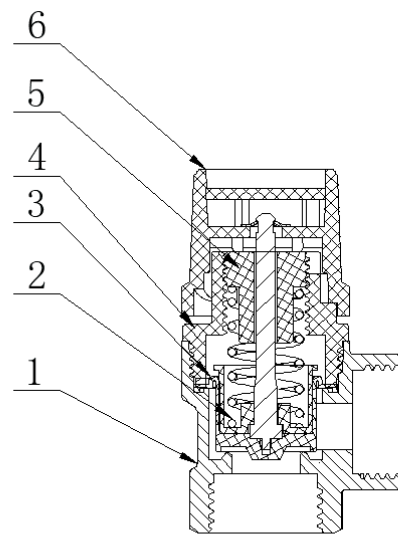
Performance

Applicable medium: water
Work pressure: 0.3MPa/0.6MPa

Operating temperature: 0 ~ 100 °C
Thread standard: ISO228-1

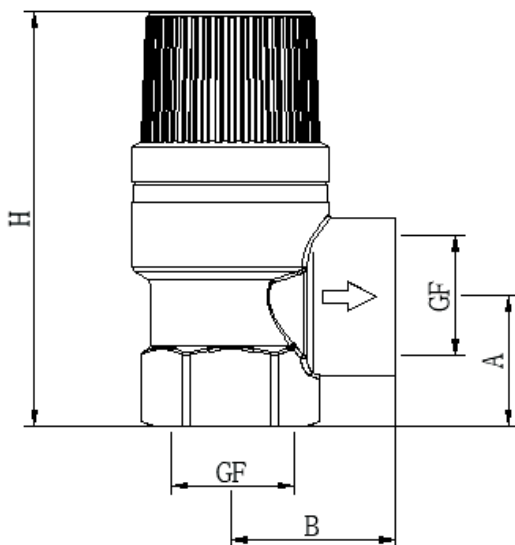
Material

No.	Components	Material
1	Valve body	Brass
2	spring	304
3	Diaphragm	EPDM
4	Valve seat	PA6
5	Adjustment seat	PA6
6	Hand wheel	ABS

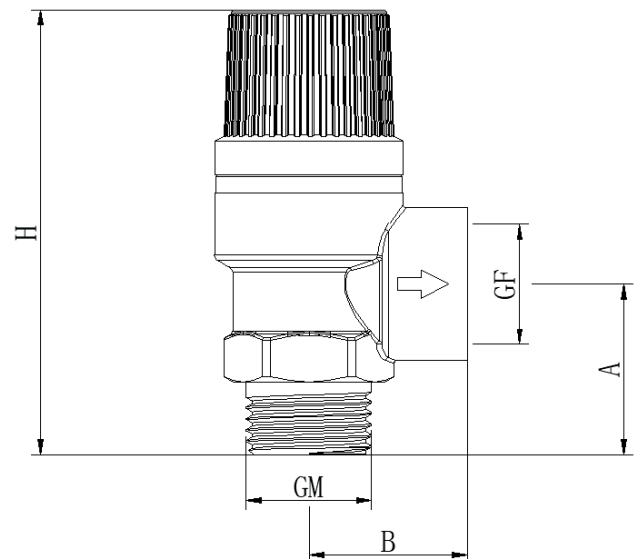


Basic size

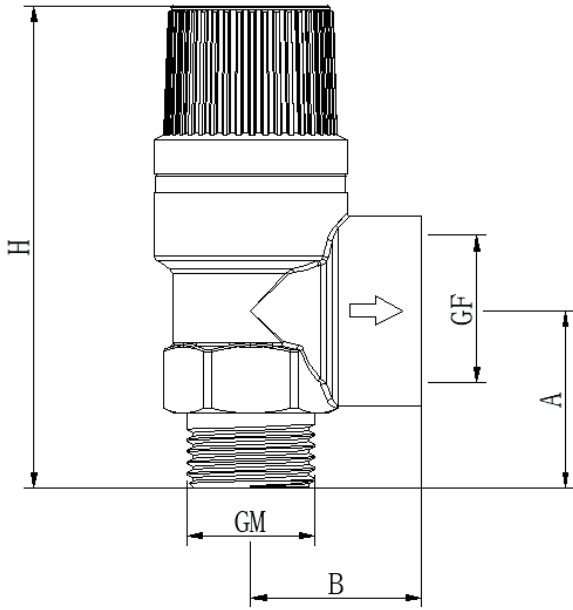
ZL-716-1/2"FF



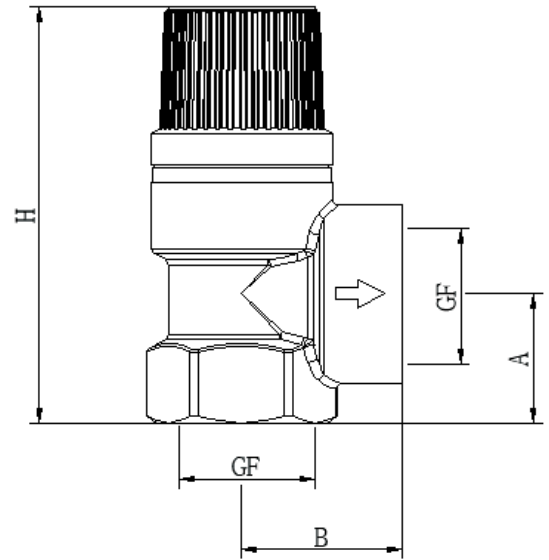
ZL-716-FXM



Zal-716-1/A "Maksa/4" f



ZL-716-3/4" FF



型号	H	A	B	GF	GM
ZL-716-1/2" FF	66	21	26	G1/2"	-
ZL-716-FXM	73	28	26	G1/2"	G1/2"
ZL-716-1/2" MX3/4" F	78	28.5	27.5	G1/2"	G3/4"
ZL-716-3/4" FF	71	22	27.5	G3/4"	G3/4"