

Plastic Magnetic Dirt Separator

Installation and Operation Instructions

ZL-2566

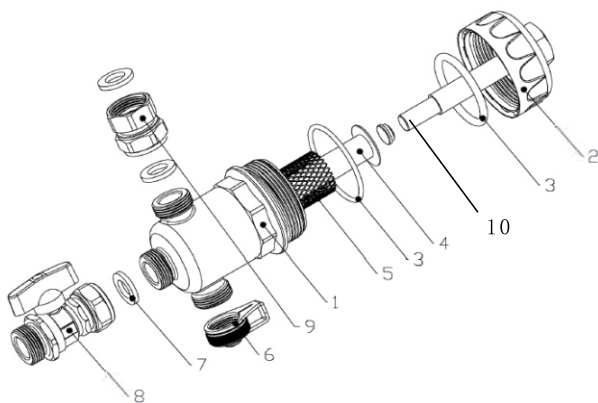


Description

The plastic magnetic dirt separator is compact and easy to install to combat the problems caused by magnetic system sludge and non-ferrous debris.

Applicable medium: Water、 glycol solutions Max. percentage of glycol is 30%
Maximum working temperature: 90°C
Maximum working pressure: 4bar
Connections: G3/4" (ISO228-1)、 Φ22mm x Φ22mm x G3/4"

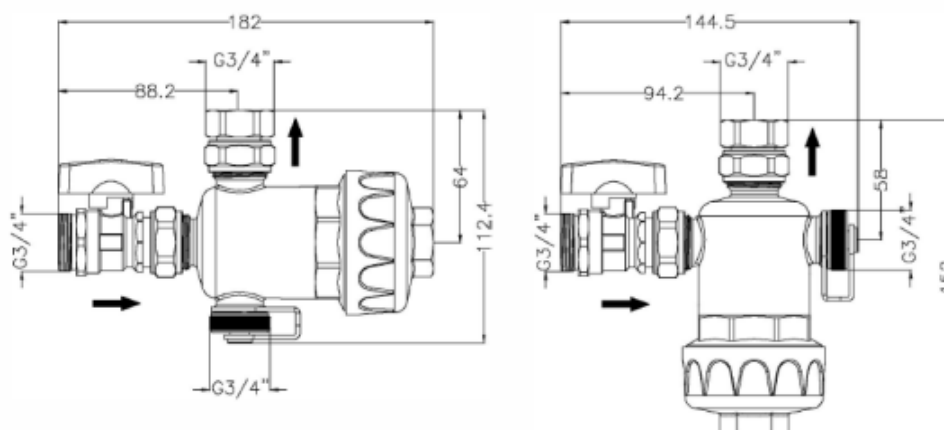
Characteristic Components

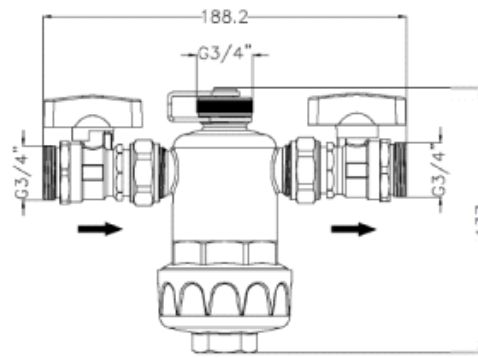
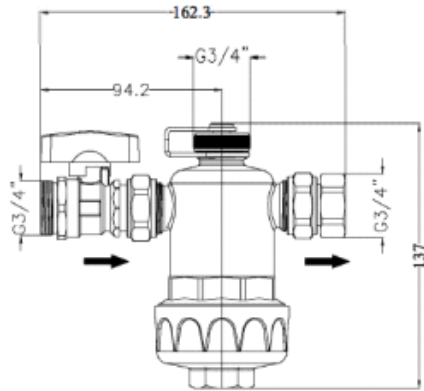


No.	Components	Materials
1	Valve body	Pa66
2	valve bonnet	Pa66
3	Seals	EPDM
4	Protective casing	PB
5	Filter net	Stainless steel
6	Plug cap	Brass
7	Gasket	EPDM
8	Ball valve	Brass
9	Connections	Brass
10	Magnet component	NdFeb

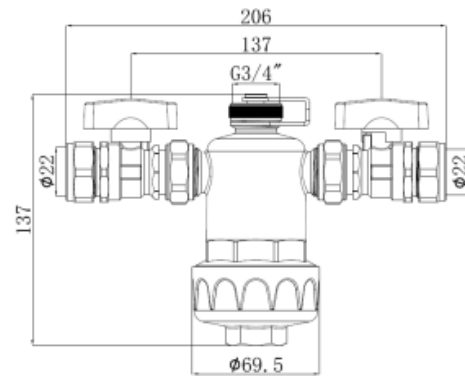
Dimensions

Code	ZI2566343434
------	--------------





Code	ZL2566A342222
------	---------------



Product maintenance

1. Perform the first maintenance one month after installation.
2. Check whether the boiler is shut off. Perform the following operations after the system is cooled to room temperature to avoid burns.
3. Close the ball valve and carefully unscrew the plug cap, the water will gradually begin to flow (Figure 1), emptying the loop for maintenance.
4. If the valve is installed vertically (Figure 2), unscrew bonnet using adjustable wrench. If opening is difficult, loosen the plug cap slightly and wait until the pressure inside the strainer decreases before unscrewing the valve cover.
5. When water flow stops, remove valve bonnet, protective sleeve and filter completely to eliminate iron impurities. Rinse thoroughly to remove all impurities.
6. Check the O-ring. If it is damaged, replace it in time.
7. You are advised to perform maintenance every 12 months.

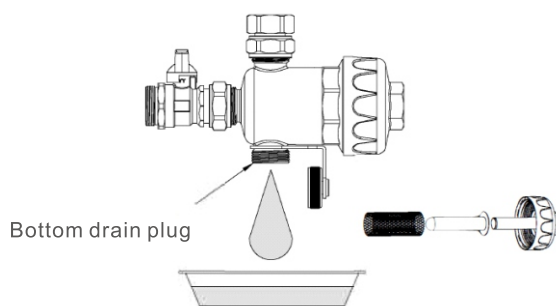


Figure 1

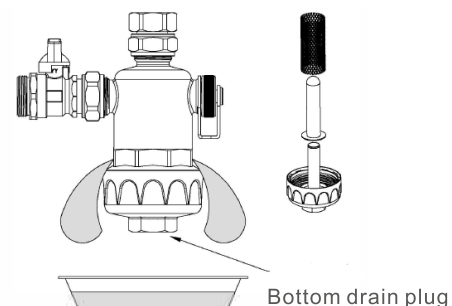


Figure 2